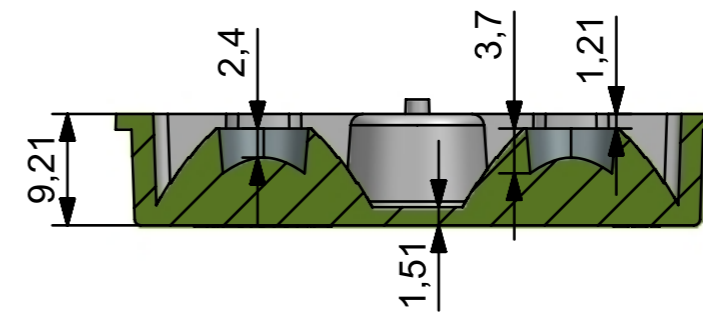



SECTION D-D



SECTION B-B

- Lens Material : Polycarbonate(Makrolon 2407&2647/Teijin 1225Z)
- Operating Temperature : PC: -40°C~+110°C(Upper Limit +120°C)
- UL Flammability : PC 2407/1225Z: V-2 @0.75mm & HB @2.7mm
- UL RTI Elec : PC 2407/1225Z: 125°C @1.5mm
- Light Transmission Rate 400nm~900nm > 90%

 <p><b>BEACON OPTRONICS</b> The Shape of light</p>			Plastic Moulding General Tolerances if not otherwise shown According to DIN ISO 2768-1 Linear measures: up to 30mm class M, otherwise class C According to DIN ISO 2768-2 Form and position: class L	DO NOT SCALE DRAWING	FIRST ANGLE PROJECTION
				<h1>BEACON OPTRONICS</h1>	
DRAWN RIJWAN CHKD YASH APPVD PRADYUMNA	NAME RIJWAN YASH PRADYUMNA	SIGNATURE RIJWAN YASH PRADYUMNA	DATE 28-10-25 28-10-25 28-10-25	Family <h2>Glitter Series</h2>	
MATERIAL Polycarbonate (Makrolon 2407 , Teijin 1225Z)				PRT NO. <h3>BO335-Glitter-2x2-5050-25°</h3>	
1:-All Dimensions are in mm 2:-Open Tolerance is +/- 0.2				DWG NO. <h2>BO335</h2>	
WEIGHT: <h3>12gm</h3>				SCALE 1:1	SHEET 1 OF 1
				A3	REVISION-00