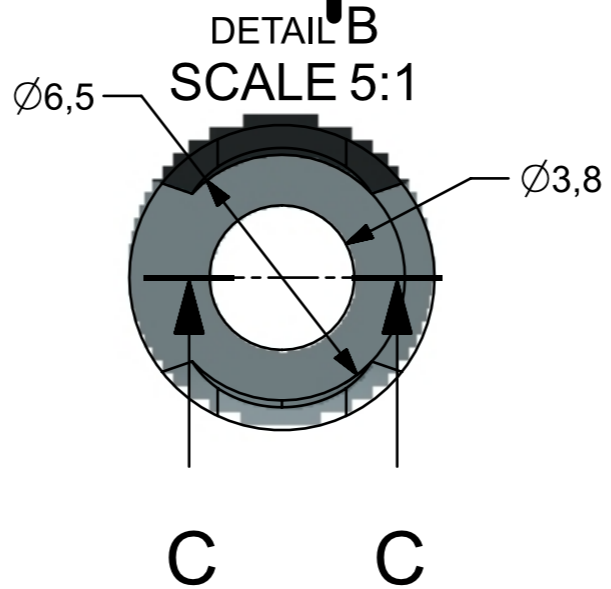
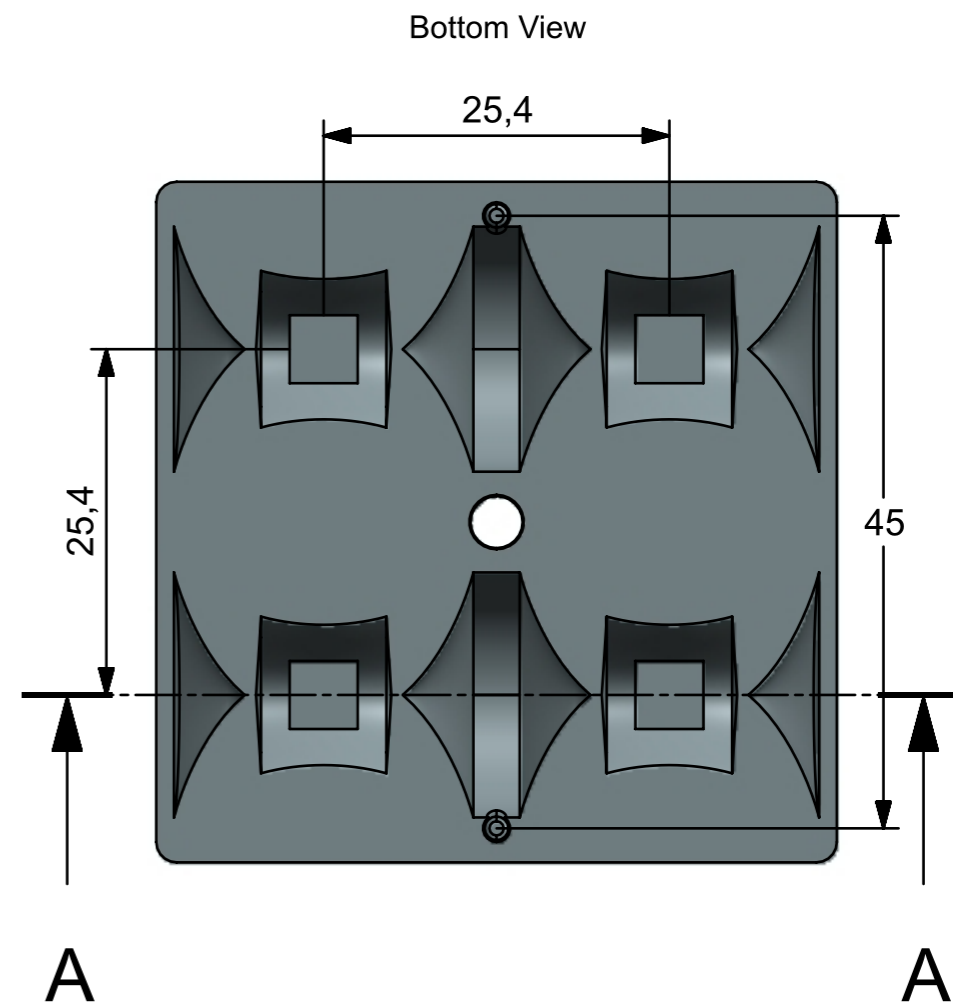


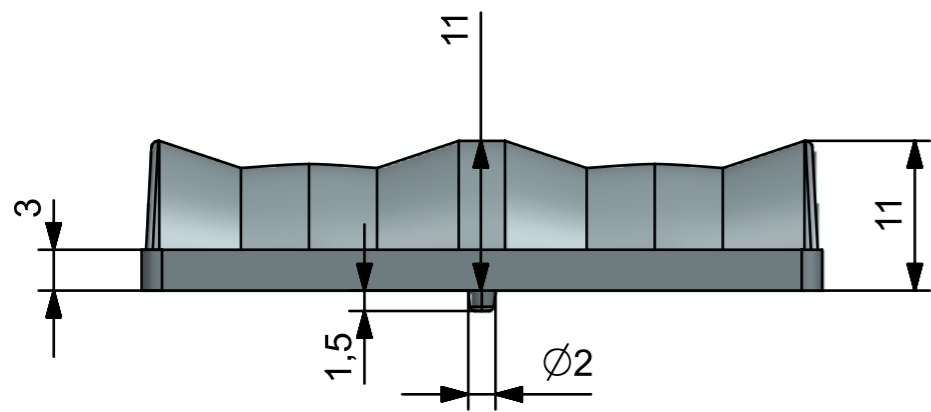
Top View



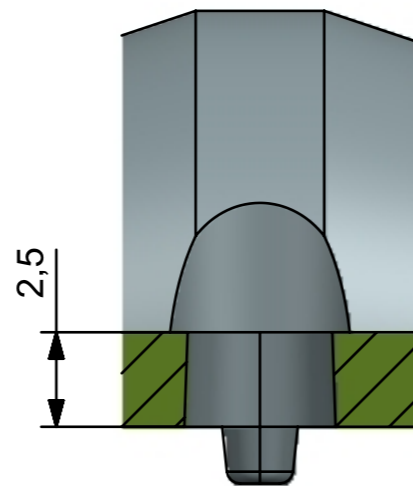
DETAIL B
SCALE 5:1



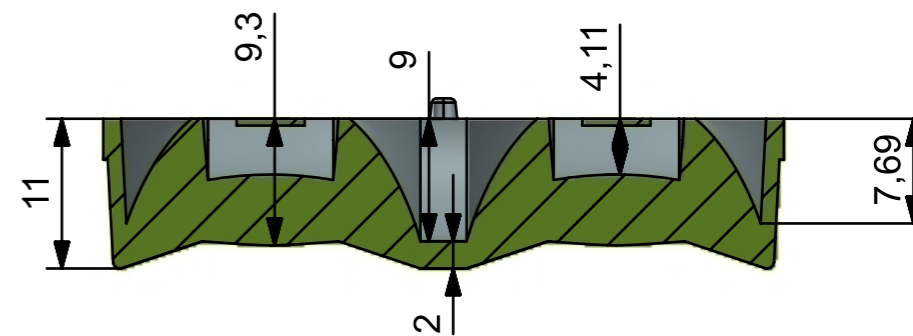
Bottom View



Side View




SECTION C-C



SECTION A-A

- Lens Material : Polycarbonate(Makrolon 2407&2647/Teijin 1225Z)
- Operating Temperature : PC: -40°C~+110°C(Upper Limit +120°C)
- UL Flammability : PC 2407/1225Z: V-2 @0.75mm & HB @2.7mm
- UL RTI Elec : PC 2407/1225Z: 125°C @1.5mm
- Light Transmission Rate 400nm~900nm > 90%

 BEACON OPTRONICS The Shape of light			Plastic Moulding General Tolerances if not otherwise shown According to DIN ISO 2768-1 Linear measures: up to 30mm class M, otherwise class C According to DIN ISO 2768-2 Form and position: class L	DO NOT SCALE DRAWING	FIRST ANGLE PROJECTION
				BEACON OPTRONICS	
				Family Glitter Series	
				PRT NO. BO332-Glitter-2x2-5050-120x60°	
				DWG NO. BO332	
				SCALE 1:1	
				SHEET 1 OF 1	
				A3	
				REVISION-00	
				A3	

	NAME	SIGNATURE	DATE
DRAWN	AMIR	AMIR	27-10-25
CHKD	YASH	YASH	27-10-25
APPVD	PRADYUMNA	PRADYUMNA	27-10-25
MATERIAL	Polycarbonate (Makrolon 2407 , Teijin 1225Z)		
1:-All Dimensions are in mm 2:-Open Tolerance is +/- 0.2	This drawing is the property of Beacon Optronics. It may not be reproduced, copied or communicated without a written agreement with Beacon Optronics.		
WEIGHT:	16gm		