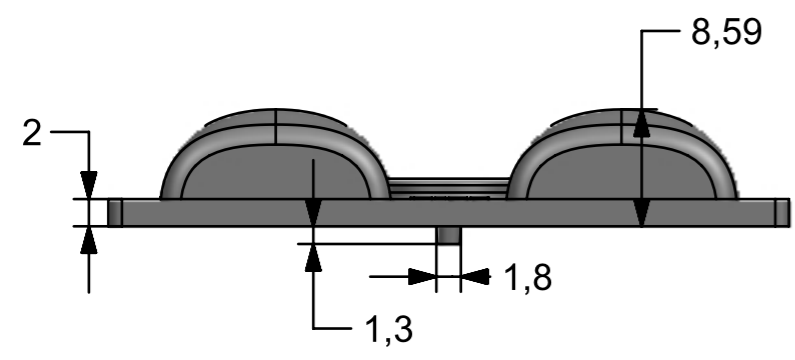
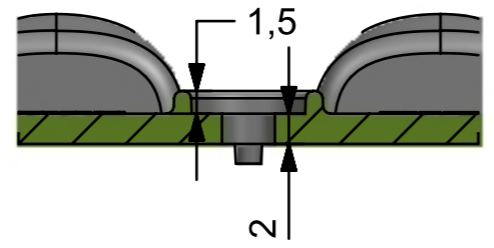


SECTION B-B


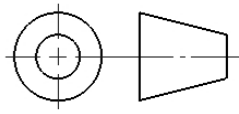


Side View



SECTION D-D

- Lens Material : Polycarbonate(Makrolon 2407&2647/Teijin 1225Z)
- Operating Temperature : PC: -40°C~+110°C(Upper Limit +120°C)
- UL Flammability : PC 2407/1225Z: V-2 @0.75mm & HB @2.7mm
- UL RTI Elec : PC 2407/1225Z: 125°C @1.5mm
- Light Transmission Rate 400nm~900nm > 90%

 <b>BEACON OPTRONICS</b> The Shape of light			Plastic Moulding General Tolerances if not otherwise shown According to DIN ISO 2768-1 Linear measures: up to 30mm class M, otherwise class C According to DIN ISO 2768-2 Form and position: class L		DO NOT SCALE DRAWING		FIRST ANGLE PROJECTION 		
				<b>BEACON OPTRONICS</b>					
				Family <b>Glitter Series</b>					
				PRT NO. <b>BO330-Glitter-2x2-5050-T3VS</b>					
				DWG NO. <b>BO330</b>					
1:-All Dimensions are in mm 2:-Open Tolerance is +/- 0.2				This drawing is the property of Beacon Optronics. It may not be reproduced, copied or communicated without a written agreement with Beacon Optronics.				A3 REVISION-00	
WEIGHT: 11gm				SCALE 1:1		SHEET 1 OF 1		A3	